

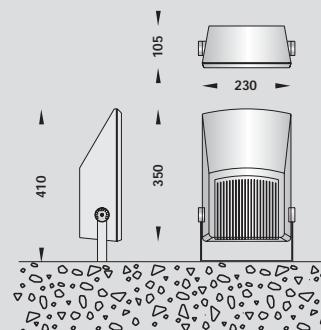
OD-2240

ASYMMETRICAL SMALL FLOOD LIGHT



NEW FOR 2007

THIS IS PROVISION DATA ONLY.
ACTUAL DIMENSION AND LOOK
MAY DIFFER FROM THIS.



NEW FOR 2007

THIS IS PROVISION DATA ONLY.
ACTUAL DIMENSION AND LOOK
MAY DIFFER FROM THIS.

SPECIFICATION

CONSTRUCTION:	Fixture is manufactured in compliance with IEC 60598-1. Electrical protection class 1. IP65.
BODY:	Housing and cover in corrosion resistant high-pressure die-cast aluminium ADC12 alloy. Ground Bracket with 1 central hole \varnothing 25mm and 2 holes \varnothing 10mm spacing 80mm.
OPTIC COVER:	Impact resistant transparent safety tempered glass. Able to stand sudden change in temperature of up to 250°C.
REFLECTOR:	High purity anodised aluminium 99.90% Asymmetrical light distribution. Available in diffused and concentrated light output.
PROTECTION:	Weather proof and durable silicone gasket. Service temperature -40°to +200°C.
FASTENING:	All external screw is in 316 stainless steel with silicone grease dipping.
CABLE ENTRY:	Two IP67 M20 brass nickle cable gland for H07RN-F cable 3G x1 Possible for through wiring.
LAMP HOLDER:	Rx7s holder in steatite body with electrolytic silver contact from EMC Colosio - Italy / ENEC approved. For discharge lamp and halogen lamp. T250 rating 6/1000/5kV.
CONTROL GEAR:	Magnetic ballast from Vossloh Schwabe - Germany / ENEC approved. 230V 50Hz tw130. For discharge lamp. Electronic superimposed ignitor with automatic switch-off feature from Vossloh Schwabe - Germany / ENEC approved. Ignition voltage 4-5kV 220-240V 50-60Hz. For ceramic/quartz discharge lamp. Power factor correction for discharge lamp from Vossloh Schwabe - Germany or from Electronicon - Germany. ENEC approved.
WIRING:	1x0.75 silicone rubber insulated cable with fiberglass braid from CET Eletric - Italy / IMQ approved. 2kV / -60°to +180°C service temperature. Double silicone insulation ignition wire. Tinned copper condutor. Impulsive voltage 5kV. Connector in glass-fiber reinforced PA6.6 from BM - Italy / ENEC approved. Service temperature up to 200°C. Cross section 4mm ² . Rating 4A/400V. Wiring provided with earth connection.
PAINTING:	First Stage: Chromatzation treatment, resistant to corrosive and extreme environment. Second Stage: Coated with UV stabilized polyester powder in automatic chamber. Third Stage: Baked in digital temperature control room at 200°C for 30 minutes.

AVAILABLE COLOR:

Black	- RAL9005 (replace last 2 digits on ordering code with 01)
Graphite	- RAL7016 (replace last 2 digits on ordering code with 02)
Dark Grey	- RAL7037 (replace last 2 digits on ordering code with 03)
Aluminium Silver	- RAL9006 (replace last 2 digits on ordering code with 04)
White	- RAL9010 (replace last 2 digits on ordering code with 06)

AVAILABLE LIGHT OUTPUT:

Concentrated light	(replace the 5th digit on ordering code with 6)
Diffuser light	(replace the 5th digit on ordering code with 7)

ACCESSORIES:

Mounting base.	Ordering Code: 9-0200-XX
Pole mount cap.	Ordering Code:
For pole diameter 74mm.	9-0212-XX
For pole diameter 105mm.	9-0213-XX
Outtrigger arm for wall/pole mount.	Ordering Code: 9-0220-XX

METAL HALIDE
Ordering Code:
2240-X-3-731-XX
HIT-DE-CE RX7s
70W (6500 lm)

METAL HALIDE
Ordering Code:
2240-X-3-732-XX
HIT-DE-CE RX7s-24
150W (14200 lm)

HIGH PRESSURE SODIUM
Ordering Code:
2240-X-3-631-XX
HST-DE RX7s
70W (6800 lm)

HIGH PRESSURE SODIUM
Ordering Code:
2240-X-3-632-XX
HST-DE RX7s-24
150W (15000 lm)

TUNGSTEN HALOGEN
Ordering Code:
2240-X-2-235-XX
QT-DE RX7s
300W (5300 lm)

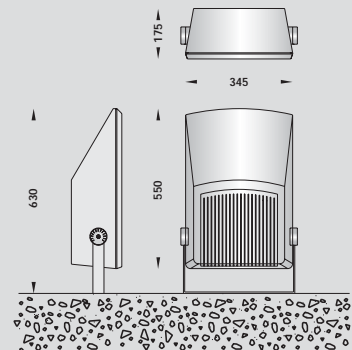
OD-2250

MEDIUM ASYMMETRICAL
FLOOD LIGHT



NEW FOR 2007

THIS IS PROVISION DATA ONLY.
ACTUAL DIMENSION AND LOOK
MAY DIFFER FROM THIS.



NEW FOR 2007

THIS IS PROVISION DATA ONLY.
ACTUAL DIMENSION AND LOOK
MAY DIFFER FROM THIS.

SPECIFICATION

CONSTRUCTION:	Fixture is manufactured in compliance with IEC 60598-1. Electrical protection class 1. IP65.
BODY:	Housing and cover in corrosion resistant high-pressure die-cast aluminium ADC12 alloy. Ground Bracket with 1 central hole \varnothing 25mm, 2 holes \varnothing 10mm spacing 80mm and 2 holes 14mm spacing 210mm.
OPTIC COVER:	Impact resistant transparent safety tempered glass. Able to stand sudden change in temperature of up to 250°C.
REFLECTOR:	High purity anodised aluminium 99.90% Asymmetrical light distribution. Available in diffused and concentrated light output.
PROTECTION:	Weather proof and durable silicone gasket. Service temperature -40°to +200°C.
FASTENING:	All external screw is in 316 stainless steel with silicone grease dipping.
CABLE ENTRY:	Two IP67 M20 brass nickle cable gland for H07RN-F cable 3G x1Possible for through wiring.
LAMP HOLDER:	E40 ceramic nickle-coated contact from Vossloh Schwabe - Germany / ENEC approved. For discharge lamp. T270 nominal rating 18/750. Fc2 ceramic nickle conductor from Vossloh Schwabe - Germany / ENEC approved. For discharge lamp. T250 rating 10/250/5kV.
CONTROL GEAR:	Magnetic ballast from Vossloh Schwabe - Germany / ENEC approved. 230V 50Hz tw130. For discharge lamp. Electronic superimposed ignitor with automatic switch-off feature from Vossloh Schwabe - Germany / ENEC approved. Ignition voltage 4-5kV 220-240V 50-60Hz. For ceramic/quartz discharge lamp. Power factor correction for discharge lamp from Vossloh Schwabe - Germany or from Electronicon - Germany. ENEC approved.
WIRING:	1x1.5 silicone rubber insulated cable with fiberglass braid from CET Eletric - Italy / IMQ approved. 2kV / -60°to +180°C service temperature. Double silicone insulation ignition wire. Tinned copper condutor. Impulsive voltage 5kV. Connector in glass-fiber reinforced PA6.6 from BM - Italy / ENEC approved. Service temperature up to 200°C. Cross section 4mm ² Rating 4A/400V. Wiring provided with earth connection.
PAINTING:	First Stage: Chromatzation treatment, resistant to corrosive and extreme environment. Second Stage: Coated with UV stabilized polyester powder in automatic chamber. Third Stage: Baked in digital temperature control room at 200°C for 30 minutes.

AVAILABLE COLOR:

Black	- RAL9005 (replace last 2 digits on ordering code with 01)
Graphite	- RAL7016 (replace last 2 digits on ordering code with 02)
Dark Grey	- RAL7037 (replace last 2 digits on ordering code with 03)
Aluminium Silver	- RAL9006 (replace last 2 digits on ordering code with 04)
White	- RAL9010 (replace last 2 digits on ordering code with 06)

AVAILABLE LIGHT OUTPUT:

Concentrated light (replace the 5th digit on ordering code with 6)
Diffuser light (replace the 5th digit on ordering code with 7)

ACCESSORIES:

Mounting base. Ordering Code: 9-0200-XX
Pole mount cap. Ordering Code: For pole diameter 74mm. 9-0212-XX For pole diameter 105mm. 9-0213-XX
Outtrigger arm for wall/pole mount. Ordering Code: 9-0220-XX

METAL HALIDE
Ordering Code:
2250-X-3-722-XX
HIT-CE E40
150W (14500 lm)

METAL HALIDE
Ordering Code:
2250-X-3-733-XX
HIT-DE-CE Fc2
250W (24500 lm)

HIGH PRESSURE SODIUM
Ordering Code:
2250-X-3-623-XX
HST-MF E40
150W (17500 lm)

HIGH PRESSURE SODIUM
Ordering Code:
2250-X-3-633-XX
HST-DE Fc2
250W (25500 lm)

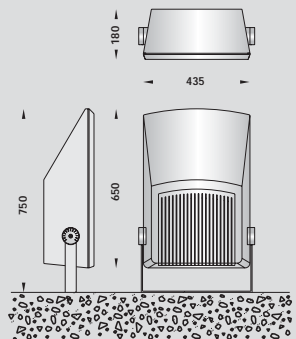
OD-2260

LARGE ASYMMETRICAL
FLOOD LIGHT



NEW FOR 2007

THIS IS PROVISION DATA ONLY.
ACTUAL DIMENSION AND LOOK
MAY DIFFER FROM THIS.



NEW FOR 2007

THIS IS PROVISION DATA ONLY.
ACTUAL DIMENSION AND LOOK
MAY DIFFER FROM THIS.

SPECIFICATION

CONSTRUCTION:	Fixture is manufactured in compliance with IEC 60598-1. Electrical protection class 1. IP65.
BODY:	Housing and cover in corrosion resistant high-pressure die-cast aluminium ADC12 alloy. Ground Bracket with 1 central hole \varnothing 25mm, 2 holes \varnothing 10mm spacing 80mm and 2 holes \varnothing 14mm spacing 210mm.
OPTIC COVER:	Impact resistant transparent safety tempered borosilicate glass. Able to stand sudden change in temperature of up to 500°C.
REFLECTOR:	High purity anodised aluminium 99.90% Asymmetrical light distribution. Available in diffused and concentrated light output.
PROTECTION:	Weather proof and durable silicone gasket. Service temperature -40°to +200°C.
FASTENING:	All external screw is in 316 stainless steel with silicone grease dipping.
CABLE ENTRY:	Two IP67 M24 brass nickle cable gland for H07RN-F cable 3G x1.5 Possible for through wiring.
LAMP HOLDER:	E40 ceramic nickle-coated contact from Vossloh Schwabe - Germany / ENEC approved. For discharge lamp. T270 nominal rating 18/750. Fc2 ceramic nickle conductor from Vossloh Schwabe - Germany / ENEC approved. For discharge lamp. T250 rating 10/250/5kV.
CONTROL GEAR:	Magnetic ballast from Vossloh Schwabe - Germany / ENEC approved. 230V 50Hz tw130. For discharge lamp. Electronic superimposed ignitor with automatic switch-off feature from Vossloh Schwabe - Germany / ENEC approved. Ignition voltage 4-5kV 220-240V 50-60Hz. For ceramic/quartz discharge lamp. Power factor correction for discharge lamp from Vossloh Schwabe - Germany or from Electronicon - Germany. ENEC approved.
WIRING:	1x1.5 silicone rubber insulated cable with fiberglass braid from CET Electric - Italy / IMQ approved. 2kV / -60°to +180°C service temperature. Double silicone insulation ignition wire. Tinned copper conductor. Impulsive voltage 5kV. Connector in glass-fiber reinforced PA6.6 from BM - Italy / ENEC approved. Service temperature up to 200°C. Cross section 4mm ² . Rating 4A/400V. Wiring provided with earth connection.
PAINTING:	First Stage: Chromatisation treatment, resistant to corrosive and extreme environment. Second Stage: Coated with UV stabilized polyester powder in automatic chamber. Third Stage: Baked in digital temperature control room at 200°C for 30 minutes.

AVAILABLE COLOR:

Black	- RAL9005 (replace last 2 digits on ordering code with 01)
Graphite	- RAL7016 (replace last 2 digits on ordering code with 02)
Dark Grey	- RAL7037 (replace last 2 digits on ordering code with 03)
Aluminium Silver	- RAL9006 (replace last 2 digits on ordering code with 04)
White	- RAL9010 (replace last 2 digits on ordering code with 06)

AVAILABLE LIGHT OUTPUT:

Concentrated light	(replace the 5th digit on ordering code with 6)
Diffuser light	(replace the 5th digit on ordering code with 7)

ACCESSORIES:

Mounting base.	Ordering Code: 9-0200-XX
Pole mount cap.	Ordering Code: For pole diameter 74mm. 9-0212-XX For pole diameter 105mm. 9-0213-XX
Outrigger arm for wall/pole mount.	Ordering Code: 9-0220-XX

METAL HALIDE
Ordering Code:
2260-X-3-723-XX
HIT-CE E40
250W (26000 lm)

METAL HALIDE
Ordering Code:
2260-X-3-724-XX
HIT E40
400W (42000 lm)

METAL HALIDE
Ordering Code:
2260-X-3-733-XX
HIT-DE-CE Fc2
250W (24500 lm)

METAL HALIDE
Ordering Code:
2260-X-3-734-XX
HIT-DE Fc2
400W (37000 lm)

HIGH PRESSURE SODIUM
Ordering Code:
2260-X-3-624-XX
HST-MF E40
250W (33200 lm)

HIGH PRESSURE SODIUM
Ordering Code:
2260-X-3-633-XX
HST-DE Fc2
250W (25500 lm)

HIGH PRESSURE SODIUM
Ordering Code:
2260-X-3-625-XX
HST-MF E40
400W (56500 lm)

HIGH PRESSURE SODIUM
Ordering Code:
2260-X-3-634-XX
HST-DE Fc2
400W (48000 lm)

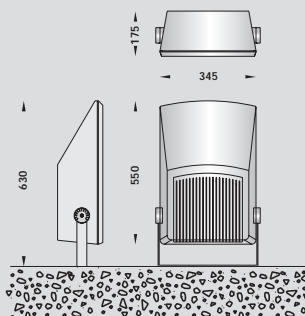
OD-2251

MEDIUM BI-SYMMETRICAL
FLOOD LIGHT



NEW FOR 2007

THIS IS PROVISION DATA ONLY.
ACTUAL DIMENSION AND LOOK
MAY DIFFER FROM THIS.



NEW FOR 2007

THIS IS PROVISION DATA ONLY.
ACTUAL DIMENSION AND LOOK
MAY DIFFER FROM THIS.

SPECIFICATION

CONSTRUCTION:	Fixture is manufactured in compliance with IEC 60598-1. Electrical protection class 1. IP65.
BODY:	Housing and cover in corrosion resistant high-pressure die-cast aluminium ADC12 alloy. Ground Bracket with 1 central hole \varnothing 25mm, 2 holes \varnothing 10mm spacing 80mm and 2 holes \varnothing 14mm spacing 210mm.
OPTIC COVER:	Impact resistant transparent safety tempered glass. Able to stand sudden change in temperature of up to 250°C.
REFLECTOR:	High purity anodised aluminium 99.90% Bi-symmetrical light distribution. Available in diffused and concentrated light output.
PROTECTION:	Weather proof and durable silicone gasket. Service temperature -40°to +200°C.
FASTENING:	All external screw is in 316 stainless steel with silicone grease dipping.
CABLE ENTRY:	Two IP67 M20 brass nickle cable gland for H07RN-F cable 3G x1Possible for through wiring.
LAMP HOLDER:	E40 ceramic nickle-coated contact from Vossloh Schwabe - Germany / ENEC approved. For discharge lamp. T270 nominal rating 18/750. Fc2 ceramic nickle conductor from Vossloh Schwabe - Germany / ENEC approved. For discharge lamp. T250 rating 10/250/5kV.
CONTROL GEAR:	Magnetic ballast from Vossloh Schwabe - Germany / ENEC approved. 230V 50Hz tw130. For discharge lamp. Electronic superimposed ignitor with automatic switch-off feature from Vossloh Schwabe - Germany / ENEC approved. Ignition voltage 4-5kV 220-240V 50-60Hz. For ceramic/quartz discharge lamp. Power factor correction for discharge lamp from Vossloh Schwabe - Germany or from Electronicon - Germany. ENEC approved.
WIRING:	1x1.5 silicone rubber insulated cable with fiberglass braid from CET Eletric - Italy / IMQ approved. 2kV / -60°to +180°C service temperature. Double silicone insulation ignition wire. Tinned copper condutor. Impulsive voltage 5kV. Connector in glass-fiber reinforced PA6.6 from BM - Italy / ENEC approved. Service temperature up to 200°C. Cross section 4mm ² Rating 4A/400V. Wiring provided with earth connection.
PAINTING:	First Stage: Chromatzation treatment, resistant to corrosive and extreme environment. Second Stage: Coated with UV stabilized polyester powder in automatic chamber. Third Stage: Baked in digital temperature control room at 200°C for 30 minutes.

AVAILABLE COLOR:

Black	- RAL9005 (replace last 2 digits on ordering code with 01)
Graphite	- RAL7016 (replace last 2 digits on ordering code with 02)
Dark Grey	- RAL7037 (replace last 2 digits on ordering code with 03)
Aluminium Silver	- RAL9006 (replace last 2 digits on ordering code with 04)
White	- RAL9010 (replace last 2 digits on ordering code with 06)

AVAILABLE LIGHT OUTPUT:

Concentrated light	(replace the 5th digit on ordering code with 6)
Diffuser light	(replace the 5th digit on ordering code with 7)

ACCESSORIES:

Mounting base.	Ordering Code: 9-0200-XX
Pole mount cap.	Ordering Code: For pole diameter 74mm. 9-0212-XX For pole diameter 105mm. 9-0213-XX
Outrigger arm for wall/pole mount.	Ordering Code: 9-0220-XX

METAL HALIDE
Ordering Code:
2251-X-3-722-XX
HIT-CE E40
150W (14500 lm)

HIGH PRESSURE SODIUM
Ordering Code:
2251-X-3-623-XX
HST-MF E40
150W (17500 lm)

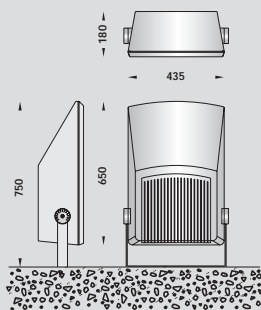
OD-2261

LARGE BI-SYMMETRICAL
FLOOD LIGHT



NEW FOR 2007

THIS IS PROVISION DATA ONLY.
ACTUAL DIMENSION AND LOOK
MAY DIFFER FROM THIS.



NEW FOR 2007

THIS IS PROVISION DATA ONLY.
ACTUAL DIMENSION AND LOOK
MAY DIFFER FROM THIS.

SPECIFICATION

CONSTRUCTION:	Fixture is manufactured in compliance with IEC 60598-1. Electrical protection class 1. IP65.
BODY:	Housing and cover in corrosion resistant high-pressure die-cast aluminium ADC12 alloy. Ground Bracket with 1 central hole \varnothing 25mm, 2 holes \varnothing 10mm spacing 80mm and 2 holes 14mm spacing 210mm.
OPTIC COVER:	Impact resistant transparent safety tempered borosilicate glass. Able to stand sudden change in temperature of up to 500°C.
REFLECTOR:	High purity anodised aluminium 99.90% Bi-symmetrical light distribution. Available in diffused and concentrated light output.
PROTECTION:	Weather proof and durable silicone gasket. Service temperature -40°to +200°C.
FASTENING:	All external screw is in 316 stainless steel with silicone grease dipping.
CABLE ENTRY:	Two IP67 M24 brass nickle cable gland for H07RN-F cable 3G x1.5 Possible for through wiring.
LAMP HOLDER:	E40 ceramic nickle-coated contact from Vossloh Schwabe - Germany / ENEC approved. For discharge lamp. T270 nominal rating 18/750. Fc2 ceramic nickle conductor from Vossloh Schwabe - Germany / ENEC approved. For discharge lamp. T250 rating 10/250/5kV.
CONTROL GEAR:	Magnetic ballast from Vossloh Schwabe - Germany / ENEC approved. 230V 50Hz tw130. For discharge lamp. Electronic superimposed ignitor with automatic switch-off feature from Vossloh Schwabe - Germany / ENEC approved. Ignition voltage 4-5kV 220-240V 50-60Hz. For ceramic/quartz discharge lamp. Power factor correction for discharge lamp from Vossloh Schwabe - Germany or from Electronicon - Germany. ENEC approved.
WIRING:	1x1.5 silicone rubber insulated cable with fiberglass braid from CET Eletric - Italy / IMQ approved. 2kV / -60°to +180°C service temperature. Double silicone insulation ignition wire. Tinned copper conductor. Impulsive voltage 5kV. Connector in glass-fiber reinforced PA6.6 from BM - Italy / ENEC approved. Service temperature up to 200°C. Cross section 4mm ² Rating 4A/400V. Wiring provided with earth connection.
PAINTING:	First Stage: Chromatzation treatment, resistant to corrosive and extreme environment. Second Stage: Coated with UV stabilized polyester powder in automatic chamber. Third Stage: Baked in digital temperature control room at 200°C for 30 minutes.

AVAILABLE COLOR:

Black	- RAL9005 (replace last 2 digits on ordering code with 01)
Graphite	- RAL7016 (replace last 2 digits on ordering code with 02)
Dark Grey	- RAL7037 (replace last 2 digits on ordering code with 03)
Aluminium Silver	- RAL9006 (replace last 2 digits on ordering code with 04)
White	- RAL9010 (replace last 2 digits on ordering code with 06)

AVAILABLE LIGHT OUTPUT:

Concentrated light (replace the 5th digit on ordering code with 6)
Diffuser light (replace the 5th digit on ordering code with 7)

ACCESSORIES:

Mounting base.
Ordering Code: 9-0200-XX
Pole mount cap.
Ordering Code: For pole diameter 74mm. 9-0212-XX For pole diameter 105mm. 9-0213-XX
Outrigger arm for wall/pole mount.
Ordering Code: 9-0220-XX

METAL HALIDE

Ordering Code:
2261-X-3-723-XX
HIT-CE E40
250W (26000 lm)

METAL HALIDE

Ordering Code:
2261-X-3-724-XX
HIT E40
400W (42000 lm)

HIGH PRESSURE SODIUM

Ordering Code:
2261-X-3-624-XX
HST-MF E40
250W (33200 lm)

HIGH PRESSURE SODIUM

Ordering Code:
2261-X-3-625-XX
HST-MF E40
400W (56500 lm)