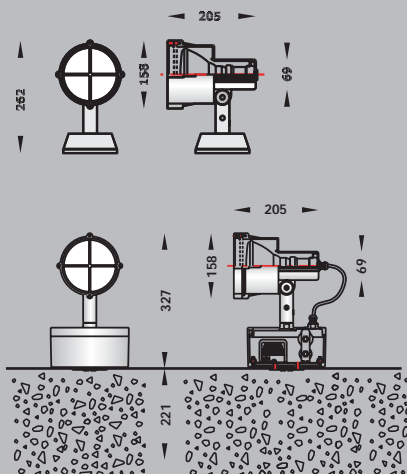


OD-5901

GROUND SPOTLIGHT



OD-5901 HIT-CE



SPECIFICATION

- CONSTRUCTION:** Fixture is manufactured in compliance with IEC 60598-1. Electrical protection class 1. IP 65.
- BODY:** Housing, components and integral control gear box in corrosion resistant high-pressure die-cast aluminium ADC12 alloy.
- OPTIC COVER:** Impact resistant transparent safety tempered glass. Able to stand sudden change in temperature of up to 250°C.
- REFLECTOR:** High purity anodised aluminium 99.90% (for HIT-CE lamp). Available in many beam angles. Please see detail on the page.
- PROTECTION:** Weather proof and durable silicone gasket. Service temperature -40°to +200°C.
- FASTENING:** All external screw is in 316 stainless steel with silicone grease dipping.
- CABLE ENTRY:** Protected by weather proof IP67 PG11 synthesized rubber grommet for H07RN-F cable 3G x1.0 For HIT-CE lamp, cable entry protected by two IP67 M20 brass nickle cable gland for H07RN-F cable 3G x1.0 Cable from base to the housing is protected by IP68 PG9 brass nickle cable gland.
- LAMP HOLDER:** G12 holder in ceramic nickle-coated contact from Vossloh Schwabe - Germany / ENEC approved. For discharge lamp. T270 rating 4/250/5kV.
E27 ceramic nickle-coated contact from Vossloh Schwabe - Germany / ENEC approved. For halogen Par lamp. T270 rating 4/250/5kV.
- CONTROL GEAR:** Magnetic ballast from Vossloh Schwabe - Germany / ENEC approved. 230V 50Hz tw130. For discharge lamp. Electronic superimposed ignitor with automatic switch-off feature from Vossloh Schwabe - Germany / ENEC approved. Ignition voltage 4-5kV 220-240V 50-60Hz. For ceramic/quartz discharge lamp. Power factor correction for discharge lamp from Vossloh Schwabe - Germany or from Electronicon - Germany. ENEC approved.
- WIRING:** 1x0.75 silicone rubber insulated cable from CET Elettric - Italy / IMQ approved. 2kV / -60°to +180°C service temperature. 3G x0.75 H05RN-F neoprene cable from Italy / IMQ approved. Connector for PAR lamp in PA6.6 nickle-plated brass insert. 600V/24A. -40°to +130°C service temperature. Cross section 2.5mm² VDE approved. Connector for HIT-CE lamp in glass-fiber reinforced PA6.6 from BM - Italy / ENEC approved. Service temperature up to 200°C. Cross section 4mm² Rating 4A/400V. Wiring provided with earth connection.
- PAINTING:** First Stage: Chromatzation treatment, resistant to corrosive and extreme environment.
Second Stage: Coated with UV stabilized polyester powder in automatic chamber.
Third Stage: Baked in digital temperature control room at 200°C for 30 minutes.

AVAILABLE COLOR:

- Black - RAL9005 (replace last 2 digits on ordering code with 01)
- Graphite - RAL7016 (replace last 2 digits on ordering code with 02)
- Dark Grey - RAL7037 (replace last 2 digits on ordering code with 03)
- Aluminium Silver - RAL9006 (replace last 2 digits on ordering code with 04)
- White - RAL9010 (replace last 2 digits on ordering code with 06)

AVAILABLE BEAM ANGLE:

For HIT-CE lamp

Narrow beam (replace the 5th digit on ordering code with 5)

Medium beam (replace the 5th digit on ordering code with 6)

Wide beam (replace the 5th digit on ordering code with 7)

ACCESSORIES:

Glass-fiber reinforced plastic earth spike.

Ordering Code: **9-2000-00**

Dichroic color filter tempered glass (for HIT-CE lamp).

Available in red, yellow, blue and green.

Ordering Code: Red **99-0340-2-81**

Yellow **99-0340-2-82**

Blue **99-0340-2-83**

Green **99-0340-2-84**

Flat beam tempered lens (for HIT-CE lamp with narrow beam reflector).

Ordering Code: **9-0016-00**

Softening tempered lens (for HIT-CE lamp)

Ordering Code: **9-0056-00**

TUNGSTEN HALOGEN

Ordering Code:

5901-0-2-263-XX

PAR38 E27

100W (10° 8500 cd / 30° 2550 cd)



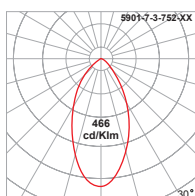
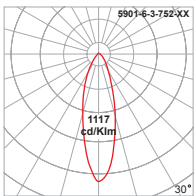
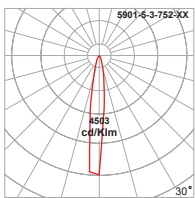
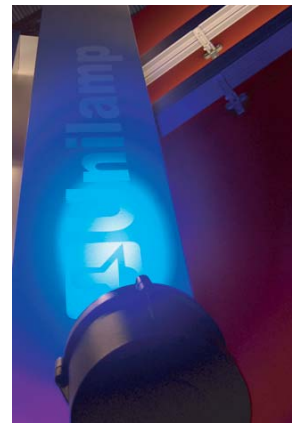
METAL HALIDE

Ordering code:

5901-X-3-751-XX

HIT-CE G12

35W (3300 lm)



METAL HALIDE

Ordering code:

5901-X-3-752-XX

HIT-CE G12

70W (6600 lm)

OD-5902

GROUND SPOTLIGHT

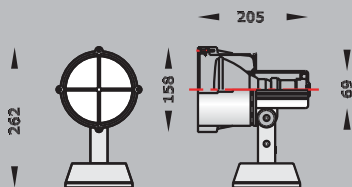


SPECIFICATION

- CONSTRUCTION:** Fixture is manufactured in compliance with IEC 60598-1. Electrical protection class 1. IP 55.
- BODY:** Housing and components in corrosion resistant high-pressure die-cast aluminium ADC12 alloy.
- PROTECTION:** Weather proof and durable silicone gasket. Service temperature -40°to +200°C.
- FASTENING:** All external screw is in 316 stainless steel with silicone grease dipping.
- CABLE ENTRY:** Protected by weather proof IP67 PG11 synthesized rubber grommet for H07RN-F cable 3G x1.0 Cable from base to the housing is protected by IP68 PG9 polyamide 6.6 cable gland.
- LAMP HOLDER:** E27 ceramic nickle-coated contact from Vossloh Schwabe - Germany / ENEC approved. For halogen Par lamp. T270 rating 4/250/5kV.
- WIRING:** 3G x0.75 H05RN-F neoprene cable from Italy / IMQ approved. Connector in PA6.6 nickle-plated brass insert. 600V/24A. -40°to +130°C service temperature. Cross section 2.5mm² VDE approved. Wiring provided with earth connection.
- PAINTING:** First Stage: Chromatisation treatment, resistant to corrosive and extreme environment.
Second Stage: Coated with UV stabilized polyester powder in automatic chamber.
Third Stage: Baked in digital temperature control room at 200°C for 30 minutes.

AVAILABLE COLOR:

- | | |
|------------------|--|
| Black | - RAL9005 (replace last 2 digits on ordering code with 01) |
| Graphite | - RAL7016 (replace last 2 digits on ordering code with 02) |
| Dark Grey | - RAL7037 (replace last 2 digits on ordering code with 03) |
| Aluminium Silver | - RAL9006 (replace last 2 digits on ordering code with 04) |
| White | - RAL9010 (replace last 2 digits on ordering code with 06) |



ACCESSORIES:

Glass-fiber reinforced plastic earth spike.

Ordering Code: **9-2000-00**

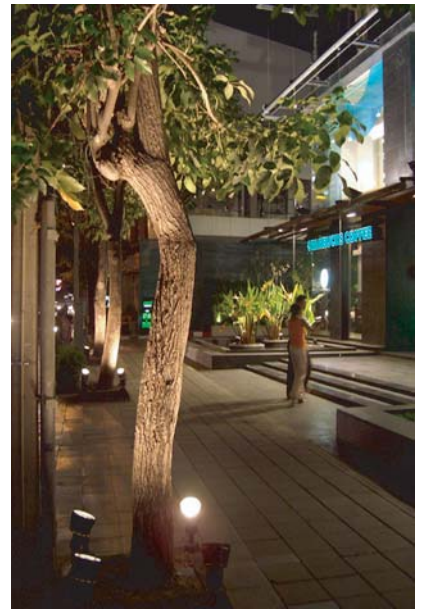
TUNGSTEN HALOGEN

Ordering Code:

5902-0-2-263-XX

PAR38 E27

100W (10° 8500 cd / 30° 2550 cd)



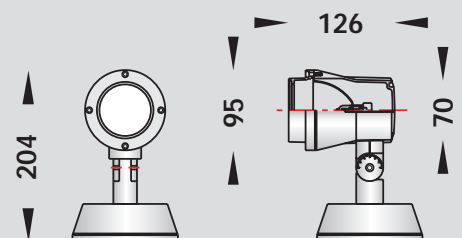
OD-5931

GROUND MOUNT / WALL MOUNT
SPOTLIGHT



NEW FOR 2006

THIS IS PROVISION DATA ONLY.
ACTUAL DIMENSION AND LOOK
MAY DIFFER FROM THIS.



NEW FOR 2006
 THIS IS PROVISION DATA ONLY.
 ACTUAL DIMENSION AND LOOK
 MAY DIFFER FROM THIS.

SPECIFICATION

CONSTRUCTION: Fixture is manufactured in compliance with IEC 60598-1. Electrical protection class 1. IP65.

BODY: Housing, cover and base in corrosion resistant high-pressure die-cast aluminium ADC12 alloy. Adjustable and durable swivel unit.

OPTIC COVER: Impact resistant transparent safety tempered glass. Able to stand sudden change in temperature of up to 250°C. Glass placed in front of the cover. No accumulation of water and dust.

REFLECTOR: High purity anodised aluminium 99.90% Available in many beam angles. Please see detail on the page.

PROTECTION: Weather proof and durable silicone gasket. Service temperature -40°to +200°C.

FASTENING: All external screw is in 316 stainless steel with silicone grease dipping.

CABLE ENTRY: Protected by weather proof IP67 PG11 synthesized rubber grommet for H07RN-F cable 3G x1.0

LAMP HOLDER: GY6.35 holder in ceramic nickle-coated contact from Vossloh Schwabe - Germany / ENEC approved. For low voltage halogen lamp. T300 rating 10/24. E27 ceramic nickle-coated contact from Vossloh Schwabe - Germany / ENEC approved. For Par lamp. T270 rating 4/250/5kV.

TRANSFORMER: Toroidal transformer for low voltage halogen lamp from Italy / IMQ approved.

WIRING: 1x0.75 silicone rubber insulated cable with fiberglass braid from CET Electric - Italy / IMQ approved. 2kV / -60°to +180°C service temperature. Connector in PA6.6 nickle-plated brass insert. 600V/24A. -40°to +130°C service temperature. Cross section 2.5mm² VDE approved. Wiring provided with earth connection.

PAINTING: First Stage: Chromatization treatment, resistant to corrosive and extreme environment.
 Second Stage: Coated with UV stabilized polyester powder in automatic chamber.
 Third Stage: Baked in digital temperature control room at 200°C for 30 minutes.

AVAILABLE COLOR:

Black - RAL9005 (replace last 2 digits on ordering code with 01)
 Graphite - RAL7016 (replace last 2 digits on ordering code with 02)
 Dark Grey - RAL7037 (replace last 2 digits on ordering code with 03)
 Aluminium Silver - RAL9006 (replace last 2 digits on ordering code with 04)
 White - RAL9010 (replace last 2 digits on ordering code with 06)

AVAILABLE BEAM ANGLE (for QT12 lamp)

Narrow beam (replace the 5th digit on ordering code with 5)
 Wide beam (replace the 5th digit on ordering code with 7)

ACCESSORIES

Glass-fiber reinforced plastic earth spike.
 Ordering Code: **9-2000-00**

Dichroic color filter tempered glass (for QT12 lamp).
 Available in red, yellow, blue and green.
 Ordering Code: Red **9-0321-81**
 Yellow **9-0321-82**
 Blue **9-0321-83**
 Green **9-0321-84**

Flat beam tempered lens
 (for QT12 lamp with narrow beam reflector).
 Ordering Code: **9-0015-00**

Softening tempered lens (for QT12 lamp).
 Ordering Code: **9-0055-00**

Aluminium glare shield louver
 Ordering Code: **9-0155-01**

TUNGSTEN HALOGEN

Ordering Code:
5931-0-2-261-XX
 PAR20 E27
 50W (10° 3200 cd / 30° 1100 cd)

TUNGSTEN HALOGEN

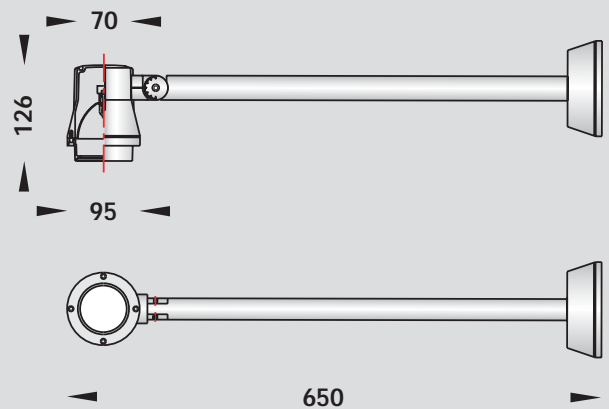
Ordering Code:
5931-X-3-295-XX
 QT12 GY6.35
 50W (950 lm)

OD-5932

WALL MOUNT SPOTLIGHT WITH
OUTRIGGER ARM



NEW FOR 2006
THIS IS PROVISION DATA ONLY.
ACTUAL DIMENSION AND LOOK
MAY DIFFER FROM THIS.



NEW FOR 2006
 THIS IS PROVISION DATA ONLY.
 ACTUAL DIMENSION AND LOOK
 MAY DIFFER FROM THIS.

SPECIFICATION

CONSTRUCTION: Fixture is manufactured in compliance with IEC 60598-1. Electrical protection class 1. IP65.

BODY: Housing, cover and base in corrosion resistant high-pressure die-cast aluminium ADC12 alloy. Adjustable and durable swivel unit.

OPTIC COVER: Impact resistant transparent safety tempered glass. Able to stand sudden change in temperature of up to 250°C. Glass placed in front of the cover. No accumulation of water and dust.

REFLECTOR: High purity anodised aluminium 99.90% Available in many beam angles. Please see detail on the page.

PROTECTION: Weather proof and durable silicone gasket. Service temperature -40° to +200°C.

FASTENING: All external screw is in 316 stainless steel with silicone grease dipping.

CABLE ENTRY: Protected by weather proof IP67 PG11 synthesized rubber grommet for H07RN-F cable 3G x1.0 For QT12 lamp, cable entry protected by two IP67 M20 brass nickel cable gland for H07RN-F cable 3G x1.5 Possible for through wiring.

LAMP HOLDER: GY6.35 holder in ceramic nickel-coated contact from Vossloh Schwabe - Germany / ENEC approved. For low voltage halogen lamp. T300 rating 10/24. E27 ceramic nickel-coated contact from Vossloh Schwabe - Germany / ENEC approved. For Par lamp. T270 rating 4/250/5kV.

TRANSFORMER: Toroidal transformer for low voltage halogen lamp from Italy / IMQ approved.

WIRING: 1x0.75 silicone rubber insulated cable with fiberglass braid from CET Electric - Italy / IMQ approved. 2kV / -60° to +180°C service temperature. Connector in PA6.6 nickel-plated brass insert. 600V/24A. -40° to +130°C service temperature. Cross section 2.5mm² VDE approved. Wiring provided with earth connection.

PAINTING: First Stage: Chromatization treatment, resistant to corrosive and extreme environment. Second Stage: Coated with UV stabilized polyester powder in automatic chamber. Third Stage: Baked in digital temperature control room at 200°C for 30 minutes.

AVAILABLE COLOR:

Black - RAL9005 (replace last 2 digits on ordering code with 01)
 Graphite - RAL7016 (replace last 2 digits on ordering code with 02)
 Dark Grey - RAL7037 (replace last 2 digits on ordering code with 03)
 Aluminium Silver - RAL9006 (replace last 2 digits on ordering code with 04)
 White - RAL9010 (replace last 2 digits on ordering code with 06)

AVAILABLE BEAM ANGLE (for QT12 lamp)

Narrow beam (replace the 5th digit on ordering code with 5)
 Medium beam (replace the 5th digit on ordering code with 6)
 Wide beam (replace the 5th digit on ordering code with 7)

ACCESSORIES

Dichroic color filter tempered glass (for QT12 lamp). Available in red, yellow, blue and green.
 Ordering Code: Red **9-0321-81**
 Yellow **9-0321-82**
 Blue **9-0321-83**
 Green **9-0321-84**

Flat beam tempered lens (for QT12 lamp with narrow beam reflector).
 Ordering Code: **9-0015-00**

Softening tempered lens (for QT12 lamp).
 Ordering Code: **9-0055-00**

Aluminium glare shield ring louver
 Ordering Code: **9-0155-01**

TUNGSTEN HALOGEN
 Ordering Code:
5932-0-2-261-XX
 PAR20 E27
 50W (10° 3200 cd / 30° 1100 cd)

TUNGSTEN HALOGEN
 Ordering Code:
5932-X-3-295-XX
 QT12 GY6.35
 50W (950 lm)

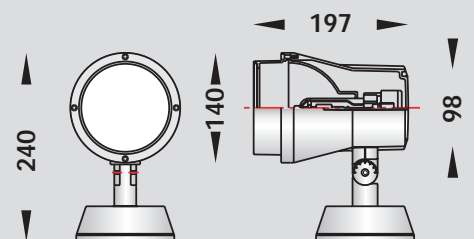
OD-5933

GROUND MOUNT / WALL MOUNT
SPOTLIGHT



NEW FOR 2006

THIS IS PROVISION DATA ONLY.
ACTUAL DIMENSION AND LOOK
MAY DIFFER FROM THIS.



NEW FOR 2006
 THIS IS PROVISION DATA ONLY.
 ACTUAL DIMENSION AND LOOK
 MAY DIFFER FROM THIS.

SPECIFICATION

CONSTRUCTION: Fixture is manufactured in compliance with IEC 60598-1. Electrical protection class 1. IP65.

BODY: Housing, cover and base in corrosion resistant high-pressure die-cast aluminium ADC12 alloy. Adjustable and durable swivel unit.

OPTIC COVER: Impact resistant transparent safety tempered glass. Able to stand sudden change in temperature of up to 250°C. Glass placed in front of the cover. No accumulation of water and dust.

REFLECTOR: High purity anodised aluminium 99.90% Available in many beam angles. Please see detail on the page.

PROTECTION: Weather proof and durable silicone gasket. Service temperature -40° to +200°C.

FASTENING: All external screw is in 316 stainless steel with silicone grease dipping.

CABLE ENTRY: Protected by weather proof IP67 PG11 synthesized rubber grommet for H07RN-F cable 3G x1.0 For HIT-CE lamp, cable entry protected by two IP67 M20 brass nickel cable gland for H07RN-F cable 3G x1.5 Possible for through wiring.

LAMP HOLDER: G12 holder in ceramic nickel-coated contact from Vossloh Schwabe - Germany / ENEC approved. For discharge lamp. T270 rating 4/250/5kV.
 E27 ceramic nickel-coated contact from Vossloh Schwabe - Germany / ENEC approved. For Par lamp. T270 rating 4/250/5kV.

CONTROL GEAR: Magnetic ballast from Vossloh Schwabe - Germany / ENEC approved. 230V 50Hz tw130. For discharge lamp. Electronic superimposed ignitor with automatic switch-off feature from Vossloh Schwabe - Germany / ENEC approved. Ignition voltage 4-5kV 220-240V 50-60Hz. For ceramic/quartz discharge lamp. Power factor correction for discharge lamp from Vossloh Schwabe - Germany or from Electronicon -Germany. ENEC approved.

WIRING: 1x0.75 silicone rubber insulated cable with fiberglass braid from CET Eletric - Italy / IMQ approved. 2kV / -60° to +180°C service temperature. Double silicone insulation ignition wire. Tinned copper conductor. Impulsive voltage 5kV. Connector in glass-fiber reinforced PA6.6 from BM - Italy / ENEC approved. Service temperature up to 200°C. Cross section 4mm² Rating 4A/400V. Wiring provided with earth connection.

PAINTING: First Stage: Chromatization treatment, resistant to corrosive and extreme environment.
 Second Stage: Coated with UV stabilized polyester powder in automatic chamber.
 Third Stage: Baked in digital temperature control room at 200°C for 30 minutes.

AVAILABLE COLOR:

Black - RAL9005 (replace last 2 digits on ordering code with 01)
 Graphite - RAL7016 (replace last 2 digits on ordering code with 02)
 Dark Grey - RAL7037 (replace last 2 digits on ordering code with 03)
 Aluminium Silver - RAL9006 (replace last 2 digits on ordering code with 04)
 White - RAL9010 (replace last 2 digits on ordering code with 06)

AVAILABLE BEAM ANGLE (for HIT-CE and QT12 lamp)

Narrow beam (replace the 5th digit on ordering code with 5)
 Wide beam (replace the 5th digit on ordering code with 7)

ACCESSORIES

Glass-fiber reinforced plastic earth spike.
 Ordering Code: **9-2000-00**

Dichroic color filter tempered glass
 (for HIT-CE lamp).
 Available in red, yellow, blue and green.
 Ordering Code: Red **99-0340-2-81**
 Yellow **99-0340-2-82**
 Blue **99-0340-2-83**
 Green **99-0340-2-84**

Flat beam tempered lens
 (for HIT-CE lamp with narrow beam reflector).
 Ordering Code: **9-0016-00**

Softening tempered lens
 (for HIT-CE lamp).
 Ordering Code: **9-0056-00**

Aluminium glare shield louver
 Ordering Code: **9-0156-00**

METAL HALIDE
 Ordering Code:
5933-X-3-751-XX
 HIT-CE G12
 35W (3300 lm)

METAL HALIDE
 Ordering Code:
5933-X-3-752-XX
 HIT-CE G12
 70W (6600 lm)

TUNGSTEN HALOGEN
 Ordering Code:
5933-0-2-262-XX
 PAR30 E27
 75W (10° 7500 cd / 30° 2400 cd)

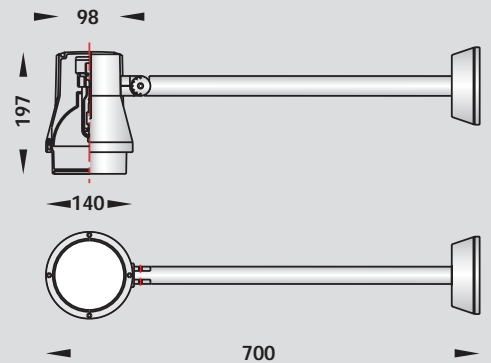
OD-5934

WALL MOUNT SPOTLIGHT WITH
OUTRIGGER ARM



NEW FOR 2006

THIS IS PROVISION DATA ONLY.
ACTUAL DIMENSION AND LOOK
MAY DIFFER FROM THIS.



NEW FOR 2006
 THIS IS PROVISION DATA ONLY.
 ACTUAL DIMENSION AND LOOK
 MAY DIFFER FROM THIS.

SPECIFICATION

CONSTRUCTION: Fixture is manufactured in compliance with IEC 60598-1. Electrical protection class 1. IP65.

BODY: Housing, cover and base in corrosion resistant high-pressure die-cast aluminium ADC12 alloy. Adjustable and durable swivel unit.

OPTIC COVER: Impact resistant transparent safety tempered glass. Able to stand sudden change in temperature of up to 250°C. Glass placed in front of the cover. No accumulation of water and dust.

REFLECTOR: High purity anodised aluminium 99.90% Available in many beam angles. Please see detail on the page.

PROTECTION: Weather proof and durable silicone gasket. Service temperature -40° to +200°C.

FASTENING: All external screw is in 316 stainless steel with silicone grease dipping.

CABLE ENTRY: Protected by weather proof IP67 PG11 synthesized rubber grommet for H07RN-F cable 3G x1.0 For HIT-CE lamp, cable entry protected by two IP67 M20 brass nickel cable gland for H07RN-F cable 3G x1.5 Possible for through wiring.

LAMP HOLDER: G12 holder in ceramic nickel-coated contact from Vossloh Schwabe - Germany / ENEC approved. For discharge lamp. T270 rating 4/250/5kV.
 E27 ceramic nickel-coated contact from Vossloh Schwabe - Germany / ENEC approved. For Par lamp. T270 rating 4/250/5kV.

CONTROL GEAR: Magnetic ballast from Vossloh Schwabe - Germany / ENEC approved. 230V 50Hz tw130. For discharge lamp.
 Electronic superimposed ignitor with automatic switch-off feature from Vossloh Schwabe - Germany / ENEC approved. Ignition voltage 4-5kV 220-240V 50-60Hz. For ceramic/quartz discharge lamp.
 Power factor correction for discharge lamp from Vossloh Schwabe - Germany or from Electronicon - Germany. ENEC approved.

WIRING: 1x0.75 silicone rubber insulated cable with fiberglass braid from CET Electric - Italy / IMQ approved. 2kV / -60° to +180°C service temperature. Double silicone insulation ignition wire. Tinned copper conductor. Impulsive voltage 5kV.
 Connector in glass-fiber reinforced PA6.6 from BM - Italy / ENEC approved. Service temperature up to 200°C. Cross section 4mm² Rating 4A/400V. Wiring provided with earth connection.

PAINTING: First Stage: Chromatization treatment, resistant to corrosive and extreme environment.
 Second Stage: Coated with UV stabilized polyester powder in automatic chamber.
 Third Stage: Baked in digital temperature control room at 200°C for 30 minutes.

AVAILABLE COLOR:

Black - RAL9005 (replace last 2 digits on ordering code with 01)
 Graphite - RAL7016 (replace last 2 digits on ordering code with 02)
 Dark Grey - RAL7037 (replace last 2 digits on ordering code with 03)
 Aluminium Silver - RAL9006 (replace last 2 digits on ordering code with 04)
 White - RAL9010 (replace last 2 digits on ordering code with 06)

AVAILABLE BEAM ANGLE (for HIT-CE and QT12 lamp)
 Narrow beam (replace the 5th digit on ordering code with 5)
 Wide beam (replace the 5th digit on ordering code with 7)

ACCESSORIES

Glass-fiber reinforced plastic earth spike.
 Ordering Code: **9-2000-00**

Dichroic color filter tempered glass (for HIT-CE lamp). Available in red, yellow, blue and green.
 Ordering Code: Red **99-0340-2-81**
 Yellow **99-0340-2-82**
 Blue **99-0340-2-83**
 Green **99-0340-2-84**

Flat beam tempered lens (for HIT-CE lamp with narrow beam reflector).
 Ordering Code: **9-0016-00**

Softening tempered lens (for HIT-CE lamp).
 Ordering Code: **9-0056-00**

Aluminium glare shield louver
 Ordering Code: **9-0156-01**

METAL HALIDE
 Ordering Code: **5934-X-3-751-XX**
 HIT-CE G12
 35W (3300 lm)

METAL HALIDE
 Ordering Code: **5934-X-3-752-XX**
 HIT-CE G12
 70W (6600 lm)

TUNGSTEN HALOGEN
 Ordering Code: **5934-0-2-262-XX**
 PAR30 E27
 75W (10° 7500 cd / 30° 2400 cd)

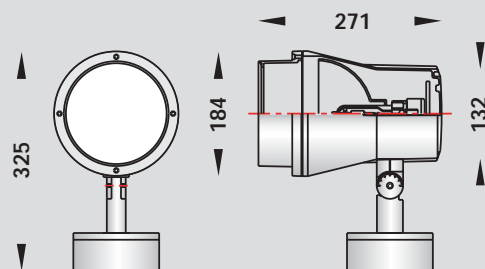
OD-5935

GROUND MOUNT / WALL MOUNT
SPOTLIGHT



NEW FOR 2006

THIS IS PROVISION DATA ONLY.
ACTUAL DIMENSION AND LOOK
MAY DIFFER FROM THIS.



NEW FOR 2006
 THIS IS PROVISION DATA ONLY.
 ACTUAL DIMENSION AND LOOK
 MAY DIFFER FROM THIS.

SPECIFICATION

CONSTRUCTION: Fixture is manufactured in compliance with IEC 60598-1. Electrical protection class 1. IP65.

BODY: Housing, cover and base in corrosion resistant high-pressure die-cast aluminium ADC12 alloy. Adjustable and durable swivel unit.

OPTIC COVER: Impact resistant transparent safety tempered glass. Able to stand sudden change in temperature of up to 250°C. Glass placed in front of the cover. No accumulation of water and dust.

REFLECTOR: High purity anodised aluminium 99.90% Available in many beam angles. Please see detail on the page.

PROTECTION: Weather proof and durable silicone gasket. Service temperature -40°to +200°C.

FASTENING: All external screw is in 316 stainless steel with silicone grease dipping.

CABLE ENTRY: Protected by weather proof IP67 PG11 synthesized rubber grommet for H07RN-F cable 3G x1.0 For HIT-CE lamp, cable entry protected by two IP67 M20 brass nickel cable gland for H07RN-F cable 3G x1.5 Possible for through wiring.

LAMP HOLDER: G12 holder in ceramic nickel-coated contact from Vossloh Schwabe - Germany / ENEC approved. For discharge lamp. T270 rating 4/250/5kV.
 E27 ceramic nickel-coated contact from Vossloh Schwabe - Germany / ENEC approved. For Par lamp. T270 rating 4/250/5kV.

CONTROL GEAR: Magnetic ballast from Vossloh Schwabe - Germany / ENEC approved. 230V 50Hz tw130. For discharge lamp. Electronic superimposed ignitor with automatic switch-off feature from Vossloh Schwabe - Germany / ENEC approved. Ignition voltage 4-5kV 220-240V 50-60Hz. For ceramic/quartz discharge lamp. Power factor correction for discharge lamp from Vossloh Schwabe - Germany or from Electronicon - Germany. ENEC approved.

WIRING: 1x0.75 silicone rubber insulated cable with fiberglass braid from CET Electric - Italy / IMQ approved. 2kV / -60°to +180°C service temperature. Double silicone insulation ignition wire. Tinned copper conductor. Impulsive voltage 5kV. Connector in glass-fiber reinforced PA6.6 from BM - Italy / ENEC approved. Service temperature up to 200°C. Cross section 4mm² Rating 4A/400V. Wiring provided with earth connection.

PAINTING: First Stage: Chromatization treatment, resistant to corrosive and extreme environment.
 Second Stage: Coated with UV stabilized polyester powder in automatic chamber.
 Third Stage: Baked in digital temperature control room at 200°C for 30 minutes.

AVAILABLE COLOR:

Black - RAL9005 (replace last 2 digits on ordering code with 01)
 Graphite - RAL7016 (replace last 2 digits on ordering code with 02)
 Dark Grey - RAL7037 (replace last 2 digits on ordering code with 03)
 Aluminium Silver - RAL9006 (replace last 2 digits on ordering code with 04)
 White - RAL9010 (replace last 2 digits on ordering code with 06)

AVAILABLE BEAM ANGLE (for HIT-CE lamp)

Narrow beam (replace the 5th digit on ordering code with 5)

ACCESSORIES

Glass-fiber reinforced plastic earth spike.
 Ordering Code: **9-2000-00**

Dichroic color filter tempered glass (for HIT-CE and QT32 lamp). Available in red, yellow, blue and green.
 Ordering Code: Red **9-0323-81**
 Yellow **9-0323-82**
 Blue **9-0323-83**
 Green **9-0323-84**

Flat beam tempered lens (for HIT-CE and QT32 lamp with narrow beam reflector).
 Ordering Code: **9-0017-00**

Softening tempered lens (for HIT-CE and QT32 lamp).
 Ordering Code: **9-0057-00**

Aluminium glare shield louver
 Ordering Code: **9-0157-01**

METAL HALIDE
 Ordering Code: **5935-X-3-753-XX**
 HIT-CE G12
 150W (14500 lm)

METAL HALIDE
 Ordering Code: **5935-X-3-752-XX**
 HIT-CE G12
 70W (6600 lm)

TUNGSTEN HALOGEN
 Ordering Code: **5935-0-2-263-XX**
 PAR38 E27
 100W (10° 8500 cd / 30° 2550 cd)

TUNGSTEN HALOGEN
 Ordering Code: **5935-X-2-245-XX**
 QT32 E27
 150W (2500 lm)

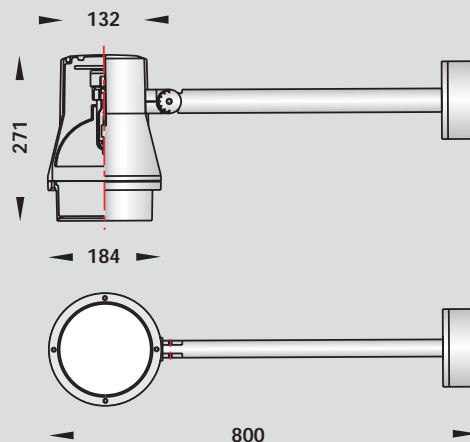
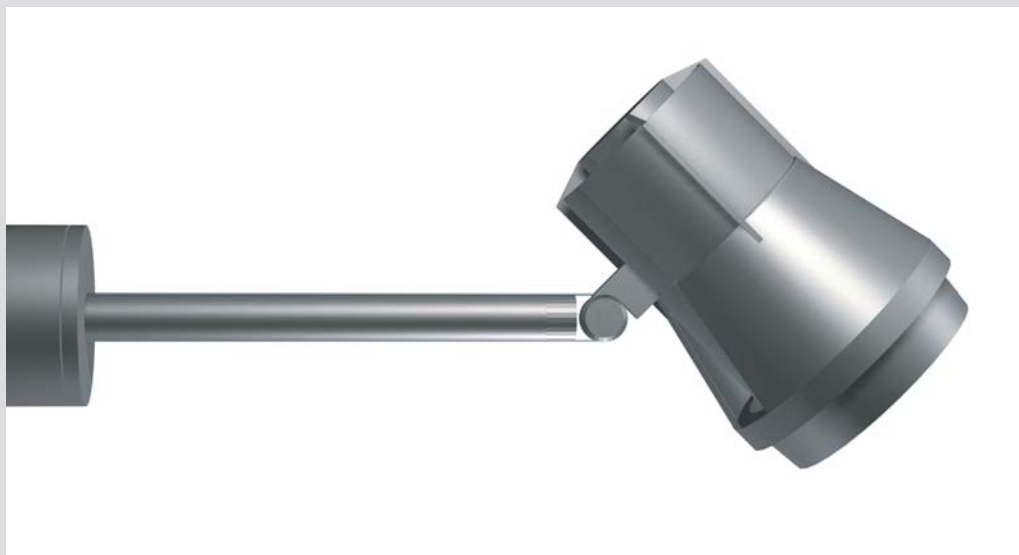
OD-5936

WALL MOUNT SPOTLIGHT WITH
OUTRIGGER ARM



NEW FOR 2006

THIS IS PROVISION DATA ONLY.
ACTUAL DIMENSION AND LOOK
MAY DIFFER FROM THIS.



NEW FOR 2006
 THIS IS PROVISION DATA ONLY.
 ACTUAL DIMENSION AND LOOK
 MAY DIFFER FROM THIS.

SPECIFICATION

CONSTRUCTION: Fixture is manufactured in compliance with IEC 60598-1. Electrical protection class 1. IP65.

BODY: Housing, cover and base in corrosion resistant high-pressure die-cast aluminium ADC12 alloy. Adjustable and durable swivel unit.

OPTIC COVER: Impact resistant transparent safety tempered glass. Able to stand sudden change in temperature of up to 250°C. Glass placed in front of the cover. No accumulation of water and dust.

REFLECTOR: High purity anodised aluminium 99.90% Available in many beam angles. Please see detail on the page.

PROTECTION: Weather proof and durable silicone gasket. Service temperature -40° to +200°C.

FASTENING: All external screw is in 316 stainless steel with silicone grease dipping.

CABLE ENTRY: Protected by weather proof IP67 PG11 synthesized rubber grommet for H07RN-F cable 3G x1.0 For HIT-CE lamp, cable entry protected by two IP67 M20 brass nickel cable gland for H07RN-F cable 3G x1.5 Possible for through wiring.

LAMP HOLDER: G12 holder in ceramic nickel-coated contact from Vossloh Schwabe - Germany / ENEC approved. For discharge lamp. T270 rating 4/250/5kV.
 E27 ceramic nickel-coated contact from Vossloh Schwabe - Germany / ENEC approved. For Par lamp. T270 rating 4/250/5kV.

CONTROL GEAR: Magnetic ballast from Vossloh Schwabe - Germany / ENEC approved. 230V 50Hz tw130. For discharge lamp.
 Electronic superimposed ignitor with automatic switch-off feature from Vossloh Schwabe - Germany / ENEC approved. Ignition voltage 4-5kV 220-240V 50-60Hz. For ceramic/quartz discharge lamp.
 Power factor correction for discharge lamp from Vossloh Schwabe - Germany or from Electronicon - Germany. ENEC approved.

WIRING: 1x0.75 silicone rubber insulated cable with fiberglass braid from CET Electric - Italy / IMQ approved. 2kV / -60° to +180°C service temperature. Double silicone insulation ignition wire. Tinned copper conductor. Impulsive voltage 5kV. Connector in glass-fiber reinforced PA6.6 from BM - Italy / ENEC approved. Service temperature up to 200°C. Cross section 4mm² Rating 4A/400V. Wiring provided with earth connection.

PAINTING: First Stage: Chromatization treatment, resistant to corrosive and extreme environment.
 Second Stage: Coated with UV stabilized polyester powder in automatic chamber.
 Third Stage: Baked in digital temperature control room at 200°C for 30 minutes.

AVAILABLE COLOR:

Black - RAL9005 (replace last 2 digits on ordering code with 01)
 Graphite - RAL7016 (replace last 2 digits on ordering code with 02)
 Dark Grey - RAL7037 (replace last 2 digits on ordering code with 03)
 Aluminium Silver - RAL9006 (replace last 2 digits on ordering code with 04)
 White - RAL9010 (replace last 2 digits on ordering code with 06)

AVAILABLE BEAM ANGLE (for HIT-CE lamp)

Narrow beam (replace the 5th digit on ordering code with 5)
 Wide beam (replace the 5th digit on ordering code with 7)

ACCESSORIES

Glass-fiber reinforced plastic earth spike.
 Ordering Code: **9-2000-00**

Dichroic color filter tempered glass (for HIT-CE and QT32 lamp). Available in red, yellow, blue and green.
 Ordering Code: Red **9-0323-81**
 Yellow **9-0323-82**
 Blue **9-0323-83**
 Green **9-0323-84**

Flat beam tempered lens (for HIT-CE and QT32 lamp with narrow beam reflector).
 Ordering Code: **9-0017-00**

Softening tempered lens (for HIT-CE and QT32 lamp).
 Ordering Code: **9-0057-00**

Aluminium glare shield louver
 Ordering Code: **9-0157-01**

METAL HALIDE
 Ordering Code: **5936-X-3-753-XX**
 HIT-CE G12
 150W (14500 lm)

METAL HALIDE
 Ordering Code: **5936-X-3-752-XX**
 HIT-CE G12
 70W (6600 lm)

TUNGSTEN HALOGEN
 Ordering Code: **5936-0-2-263-XX**
 PAR38 E27
 100W (10° 8500 cd / 30° 2550 cd)

TUNGSTEN HALOGEN
 Ordering Code: **5936-X-2-245-XX**
 QT32 E27
 150W (2500 lm)